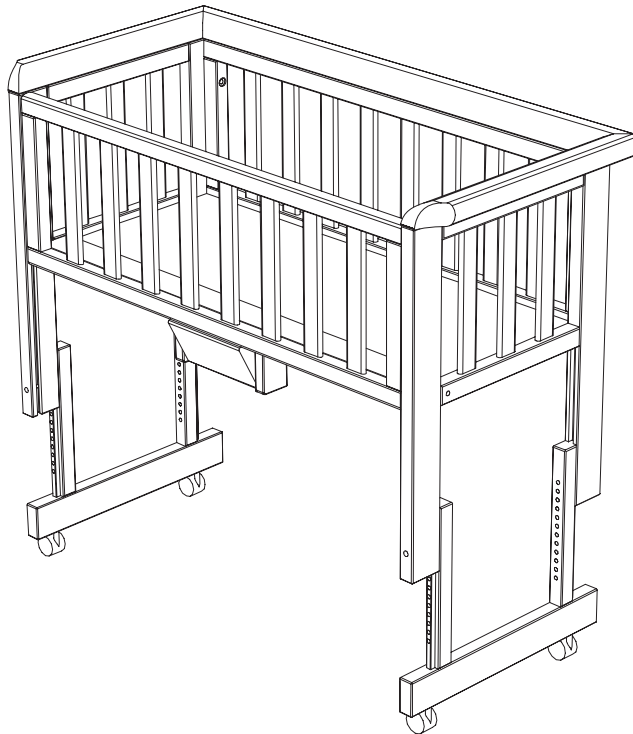


BED-SIDE CRIB

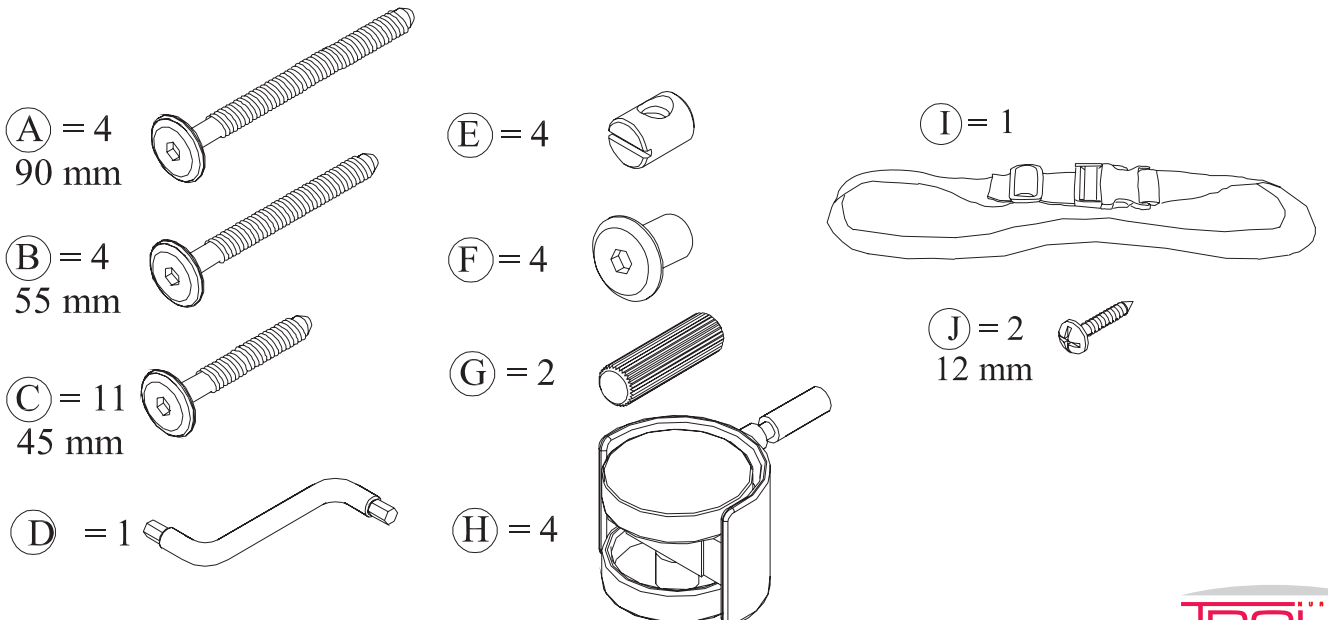
Conforms to European Standard EN 1130:2001

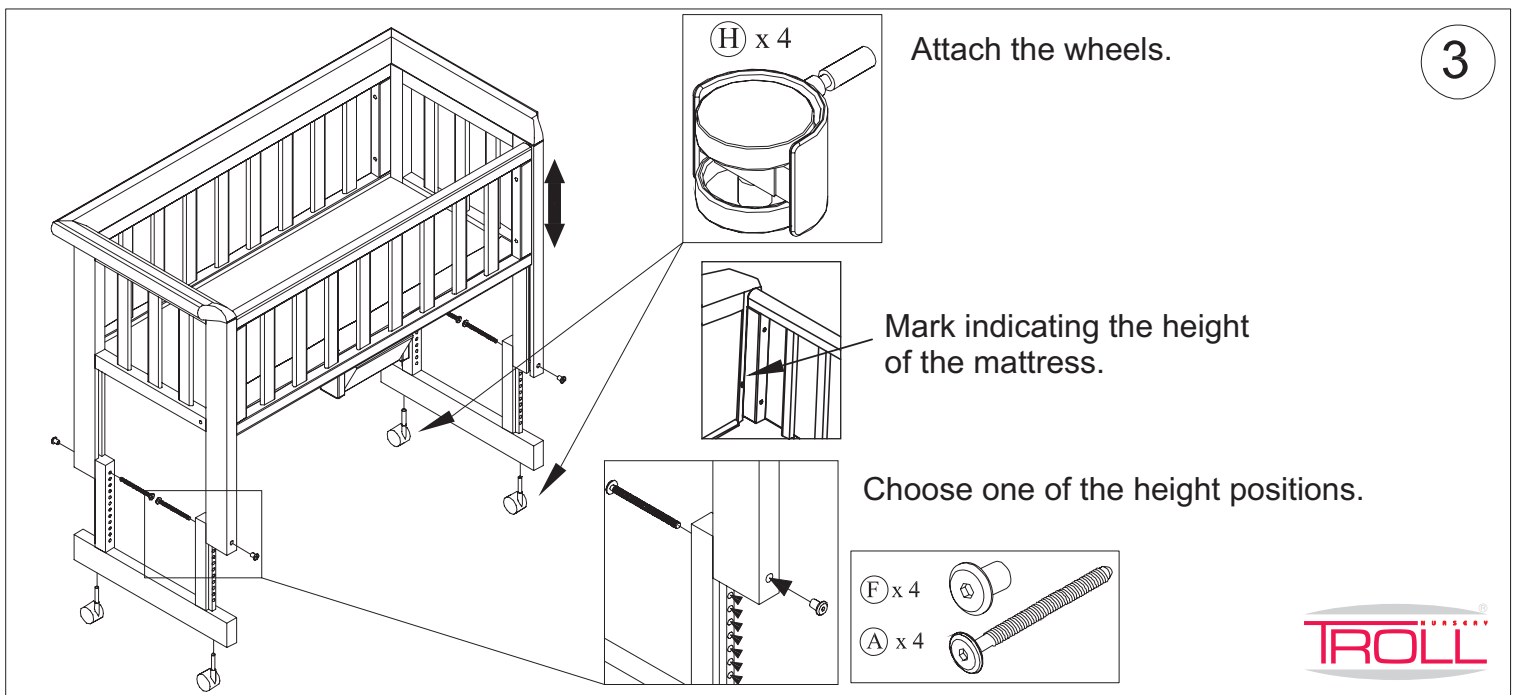
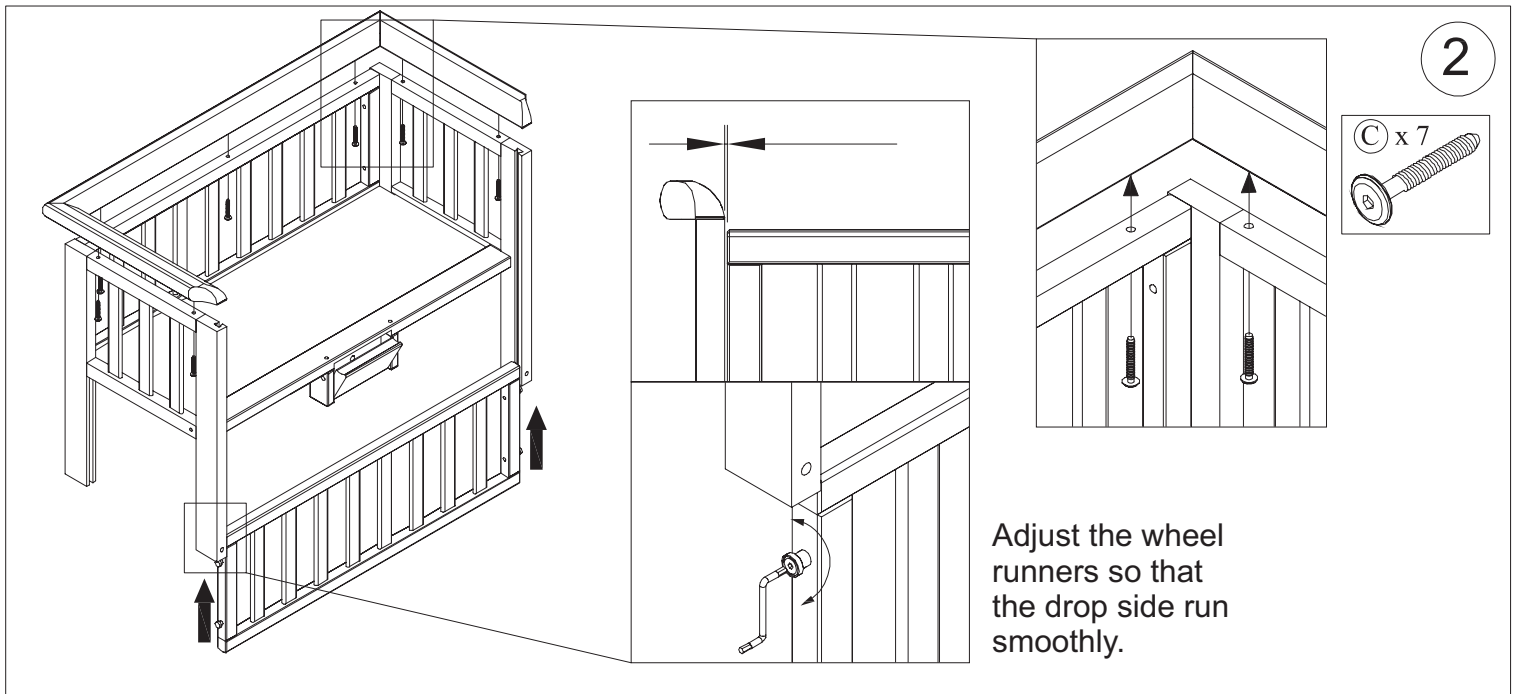
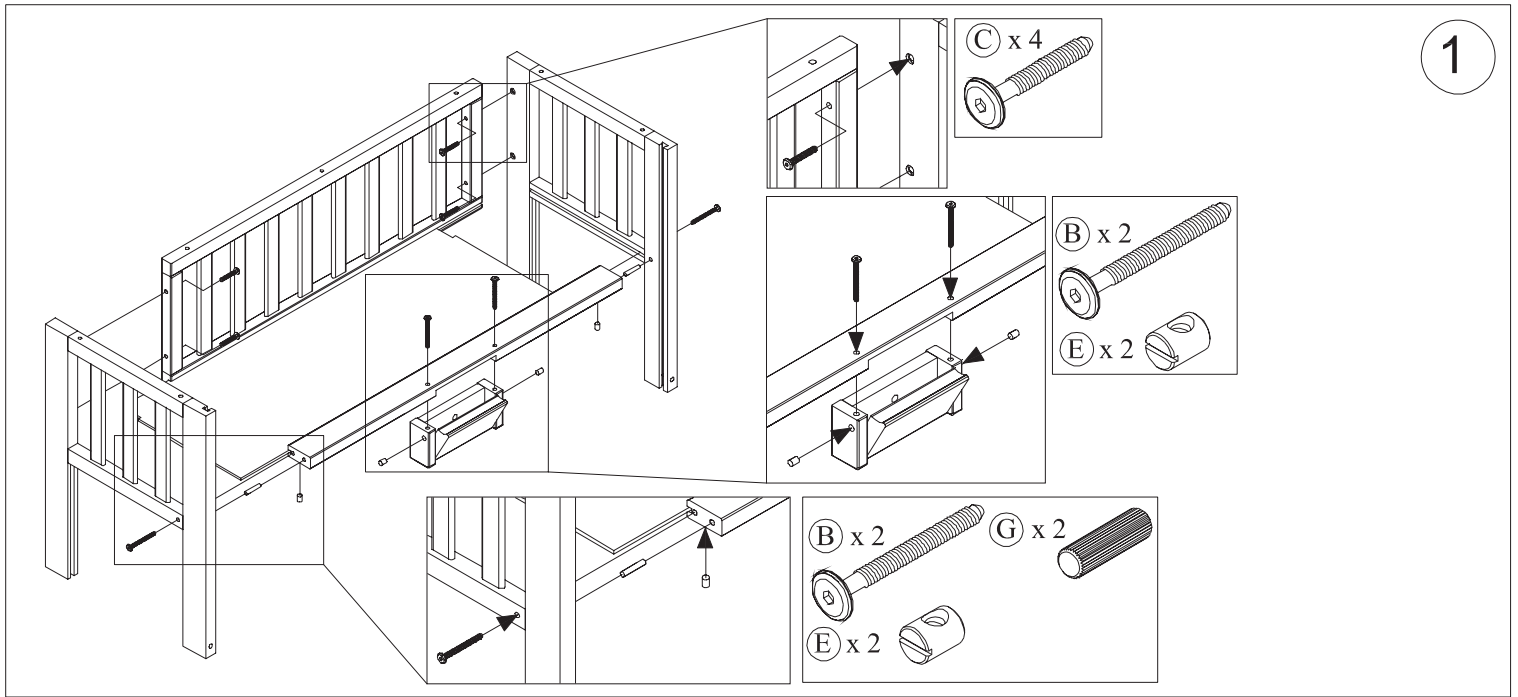
Important - Retain for future reference - Read Carefully.

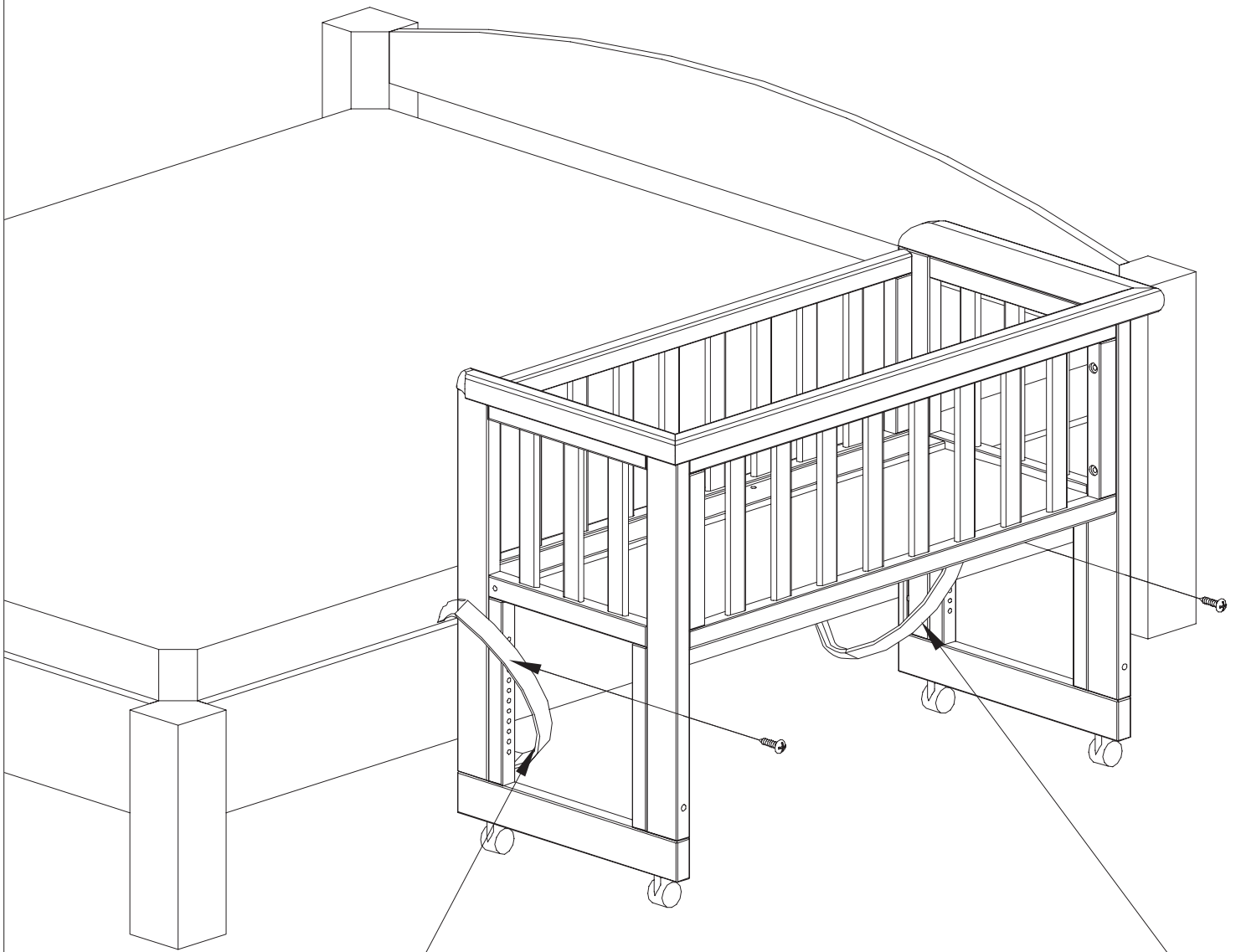
Made in Latvia



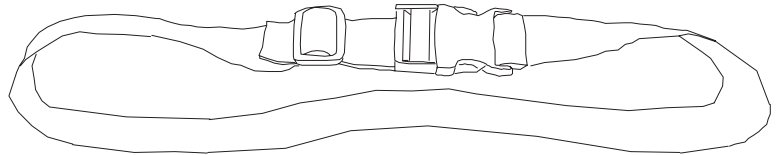
Fittings:







Ⓜ x 2



Ⓝ x 2



Your child's safety is your responsibility.

Remove all parts from packaging and check against the parts list.

Do not discard any packaging until you are sure you have all parts and the pack of fittings.

You will find it easier to assemble the cot if a second adult is available to help you.

Ensure that the cot is kept away from strong heat sources such as electrical bar, gas and open fires.

Do not use if any part is broken or missing.

Do not leave anything (toys etc) in the cot which could provide a footrest or present a danger of suffocation or strangulation.

Do not use more than one mattress.

One end of the cot has a mark indicating the height of the mattress.

The thickness of the mattress must not reduce the internal depth from mattress surface to top of the cot side above it to less than 200 mm.

The recommended mattress size: 38 x 89 cm.

Check regularly to ensure that all the components are secure.

When your child is able to sit, kneel or to pull itself up, the crib shall not be used anymore for this child.

Warning: When your child is left unsupervised in the crib, it should be locked in fixed position.

To clean use a damp cloth, avoiding the use of strong detergents or abrasives.